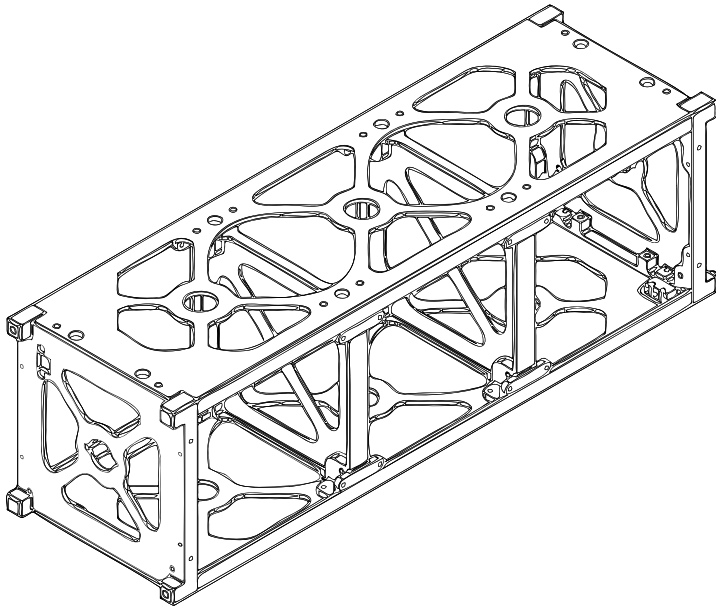
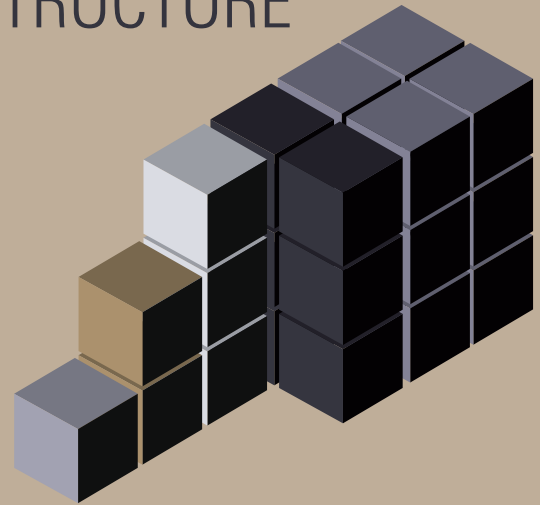




GERMAN ORBITAL SYSTEMS



CUBESAT STRUCTURE



Physical Characteristics

Material	Aluminium
Mass 1U/2U/3U/6U/12U	180g/344g/525g/1kg/2kg
1U Dimensions	113x100x100 (L x W x H in mm)
2U Dimensions	225x100x100 (L x W x H in mm)
3U Dimensions	327x100x100 (L x W x H in mm)
6U Dimensions	327x200x100 (L x W x H in mm)
12U Dimensions	327x200x200 (L x W x H in mm)

Qualification Data

Random Vibration	8g(6.7g Acceptance), 1000g Shock
------------------	----------------------------------

Interfaces

Mechanical comp.	All current orbital deployers
------------------	-------------------------------

FEATURES

- Proven Stability
- Extremely light weight
- Integrated Deployment Switch
- Available in:
 - 1 U, 2U and 3U
- Flexible Interior layout
- Simple Integration

HERITAGE

Our company is a spin-off from the TU Berlin. Being one of the most renowned addresses in Europe when it comes to satellite technology, the TU Berlin has successfully launched 10 satellites. Following the design philosophy and using the component base from these projects allows us to provide reliable and robust solutions for small satellites at a market transforming price.

Our CubeSat structures are an extremely lightweight and cost-saving solution as a base for small satellites. They feature high modularity and stability, while being compatible to all current small satellite orbital deployers.

German Orbital Systems GmbH
Reuchlinstrasse 10
10553 Berlin, Germany

Contact:

info@orbitalsystems.de

www.orbitalsystems.de