

M3S

Micro Satellite Separation System



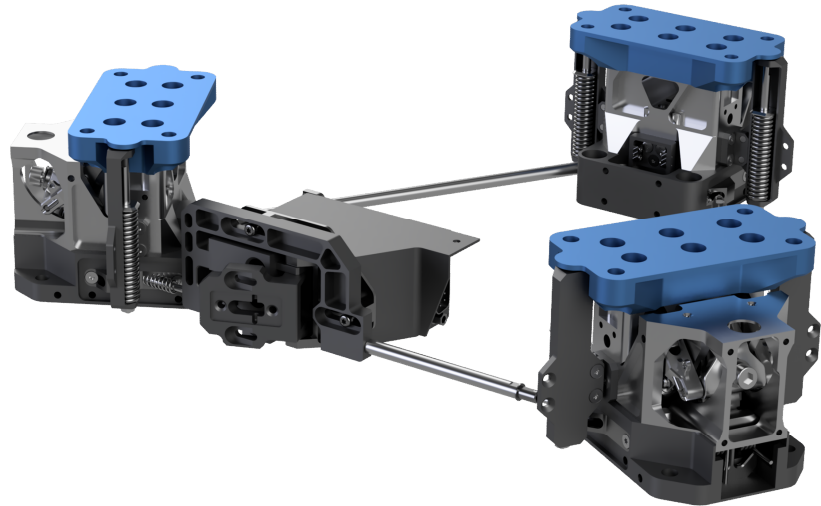
The best way to launch your microsatellite

Flexible & versatile

Shock-free release

Based on heritage

Tailored to your needs



DESCRIPTION

The ISIS Micro Satellite Separation System (M3S) is a three-point microsatellite launch adapter, suitable for a wide range of satellite configurations and sizes. Based on an innovative hold-down and release mechanism design, and building on ISIS's heritage of its satellite launch adapter family, this system offers a cost effective solution for the launch of microsatellites as either a primary or secondary payload. Not limited to any size, the M3S system is designed to adapt to the satellite and to the needs of the customer.

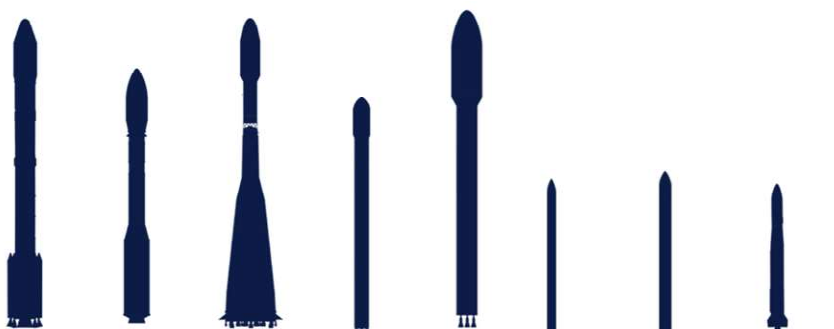
FEATURES

- Designed for satellites of up to 100 kg. Configurations possible for higher masses
- Deployment induces no shock
- Low tip-off rates
- Can be mounted in upright and cantilevered orientation on the launch vehicle
- Lightweight and cost-effective
- Electrical and mechanical interface compatible with most common launch vehicles
- Fly-away part designed for minimum weight and interference

CONFIGURATION FLEXIBILITY

- Hold-down points can be placed in a diameter that suits the satellite interface
- Number of hold down points can be increased to accommodate larger payload masses and sizes
- Deployment velocity can be adjusted
- Additional kill-switch and separation switch supports and umbilicals tailored to customer needs

COMPATIBILITY



PSLV

Vega

Soyuz

Firefly Alpha

Falcon-9

Electron

Orbex Prime

LauncherOne

INTERESTED?

- Interested to let us help bring your satellite to orbit?
- Or do you already have a separation system but looking for a launch?
- Do not hesitate to contact us at:

isilaunchrequest@isispace.nl

For more technical information, please contact us at:

sales@isispace.nl



This project has received funding from the European Union's 'Horizon 2020 research and innovation program' under grant agreement No 687242.